

DESCRIPTION

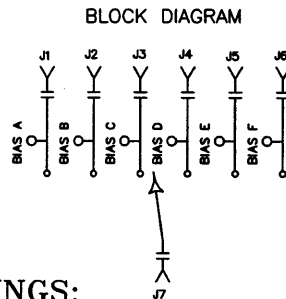
AMC MODEL MSN-6DT-05-STANDARD OPTION: 318 IS A SINGLE POLE SIX THROW ABSORPTIVE/NON-REFLECTIVE SWITCH DESIGNED TO OPERATE OVER THE FULL 3 TO 18 GHz FREQUENCY RANGE.

SPECIFICATIONS

- FREQUENCY RANGE: 3 TO 18 GHz
- INSERTION LOSS: 4.25 dB MAXIMUM
- ISOLATION: 70 dB MINIMUM
- VSWR: 2.0:1
- RISE TIME: 10 nSec TYPICAL, 15 nSec MAXIMUM
- FALL TIME: 10 nSec TYPICAL, 15 nSec MAXIMUM
- DELAY ON: 75 nSec TYPICAL, 100 nSec MAXIMUM
- DELAY OFF: 75 nSec TYPICAL, 100 nSec MAXIMUM
- POWER INPUT: (CW)+20 dBm (STANDARD), +10 dBm (HIGH SPEED)
- SURVIVAL POWER: 1 WATT CW, 10 WATTS PEAK 1 uSec
- CONTROL: TTL LOGIC "0" = ON
TTL LOGIC "1" = OFF
- POWER SUPPLY: +5V @ 100 mA MAXIMUM
-5V @ 75 mA MAXIMUM
- CONNECTORS:
RF: SMA FEMALE
CONTROL: SOLDER PIN
- SIZE: 3.00" (L) x 1.50" (W) x 0.40" (H)

OPTIONS:

- 318: 3 TO 18 GHz FREQUENCY RANGE



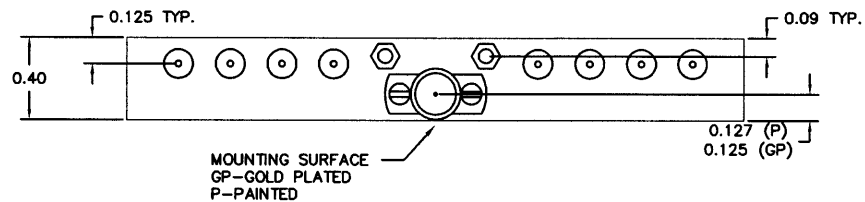
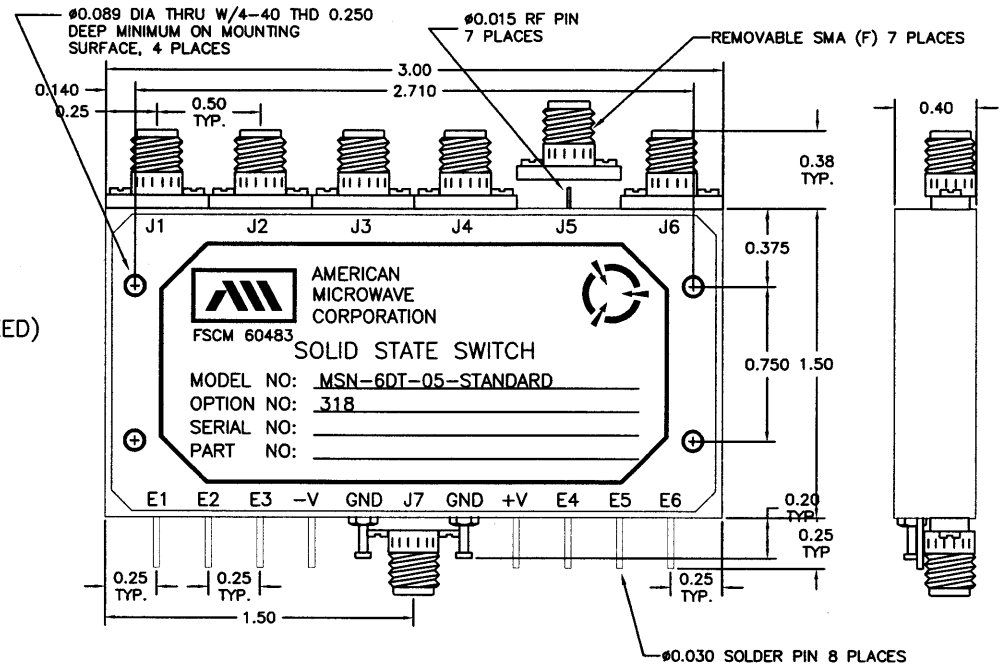
ENVIRONMENTAL RATINGS:

- TEMPERATURE: -55°C TO +85°C (OPERATING)
-65°C TO +125°C (STORAGE)
- HUMIDITY: MIL-STD-202F, METHOD 103B COND. B
- SHOCK: MIL-STD-202F, METHOD 213B COND. B
- VIBRATION: MIL-STD-202F, METHOD 204D COND. B
- ALTITUDE: MIL-STD-202F, METHOD 105C COND. B
- TEMPERATURE CYCLE: MIL-STD-202F, METHOD 107D COND. A

NOTE: SPECIFICATIONS WILL VARY OVER OPERATING TEMPERATURE
NOTE: THE ABOVE SPECIFICATIONS ARE SUBJECT TO CHANGE OR REVISION

ALL DIMENSIONS ARE IN INCHES
TOLERANCES:
X.XX ±0.020
X.XXX ±0.010

REVISIONS				
ZONE	REV.	DESCRIPTION	DATE	APPROVED
-	-	ORIGINAL RELEASE JOB# 411276XN-1	1/19/05	



AMERICAN MICROWAVE CORPORATION

7311-G GROVE ROAD
FREDERICK, MARYLAND 21704 USA
TEL: 301-662-4700 FAX: 301-662-4938
WEBSITE: www.americanmicrowavecorp.com
E-MAIL: sales@americanmicrowavecorp.com
ISO 9001:2000 CERTIFIED

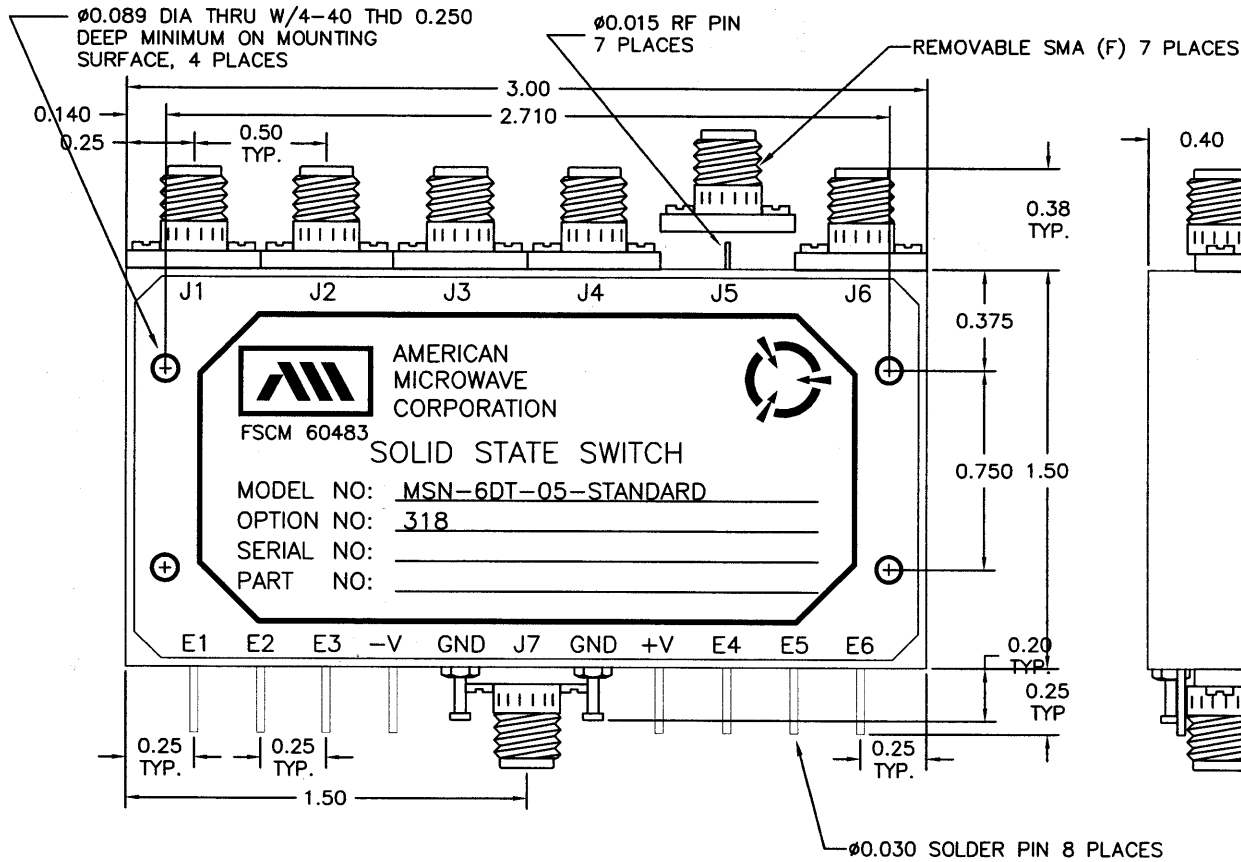


APPROVALS		DATE	TITLE			REV.
DRAWN <i>JDJ</i>		1/19/05	PRODUCT FEATURE MSN-6DT-05-STANDARD OPTION: 318 3 - 18 GHz, SINGLE POLE SIX THROW SWITCH			-
CHECKED			SIZE A	FSCM NO. 60483	DWG NO. 100-7297	
ISSUED			SCALE N:S		SHEET 1 OF 3	

DESCRIPTION

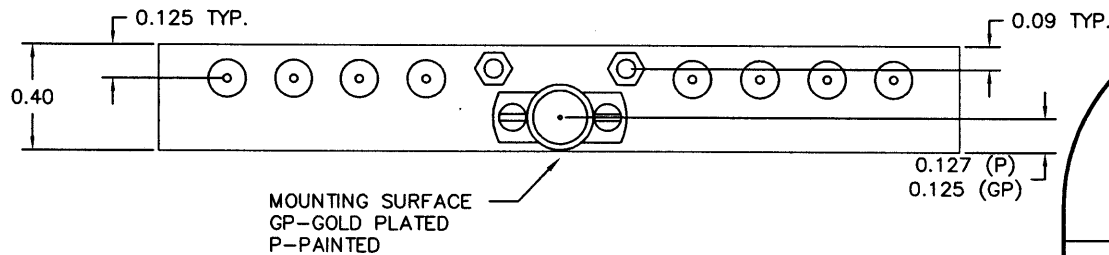
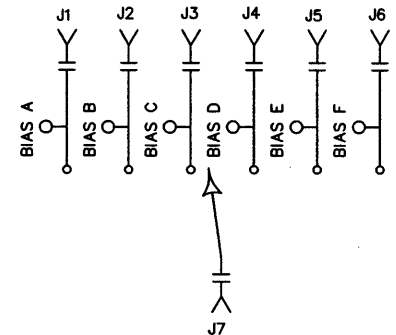
AMC MODEL MSN-6DT-05-STANDARD OPTION: 318 IS A SINGLE POLE SIX THROW ABSORPTIVE/NON-REFLECTIVE SWITCH DESIGNED TO OPERATE OVER THE FULL 3 TO 18 GHz FREQUENCY RANGE.

REVISIONS				
ZONE	REV.	DESCRIPTION	DATE	APPROVED
	-	ORIGINAL RELEASE JOB# 411276XN-1	1/19/05	



MECHANICAL OUTLINE

BLOCK DIAGRAM



MOUNTING SURFACE
GP-GOLD PLATED
P-PAINTED

ALL DIMENSIONS ARE IN INCHES
TOLERANCES:
X.XX ±0.020
X.XXX ±0.010

AMERICAN MICROWAVE CORPORATION

7311-G GROVE ROAD
FREDERICK, MARYLAND 21704 USA
TEL: 301-662-4700 FAX: 301-662-4938
WEBSITE: www.americanmicrowavecorp.com
E-MAIL: sales@americanmicrowavecorp.com
ISO 9001:2000 CERTIFIED



APPROVALS		DATE	TITLE			REV.
DRAWN <i>JDJ</i>		1/19/05	MECHANICAL OUTLINE MSN-6DT-05-STANDARD OPTION: 318 3 - 18 GHz, SINGLE POLE SIX THROW SWITCH			-
CHECKED			SIZE A	FSCM NO. 60483	DWG NO. 100-7297	
ISSUED			SCALE N:S		SHEET 2 OF 3	